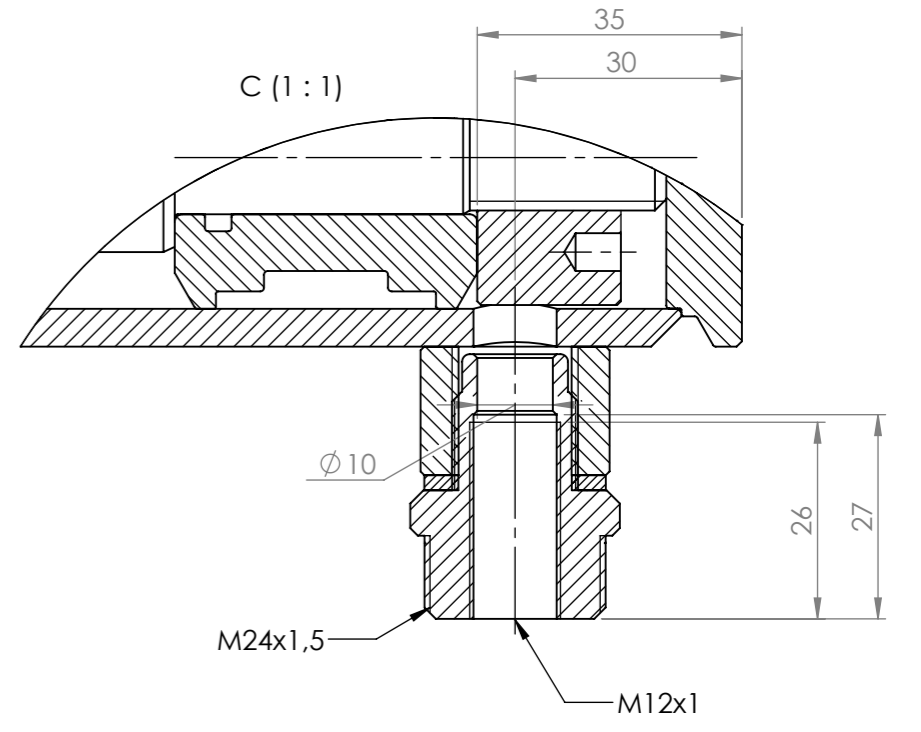
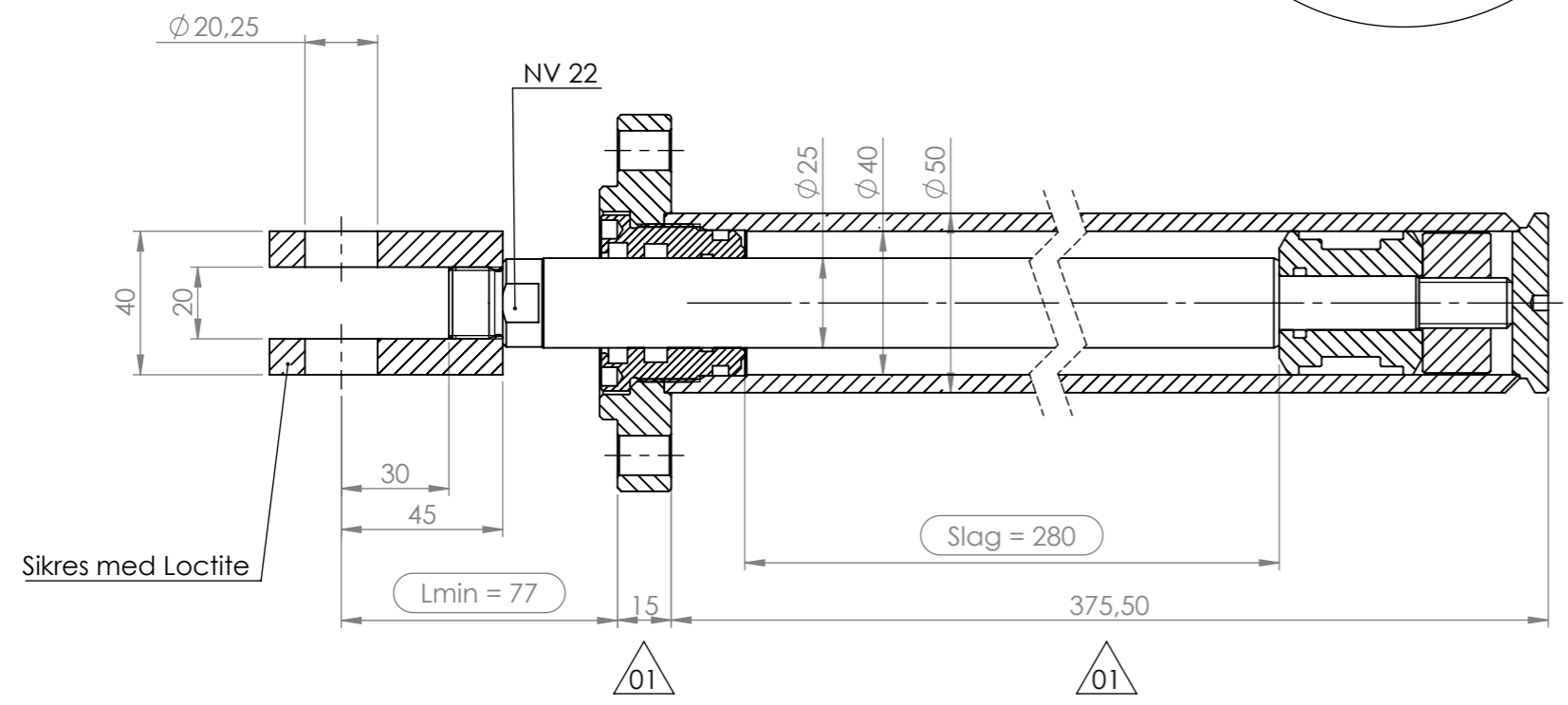
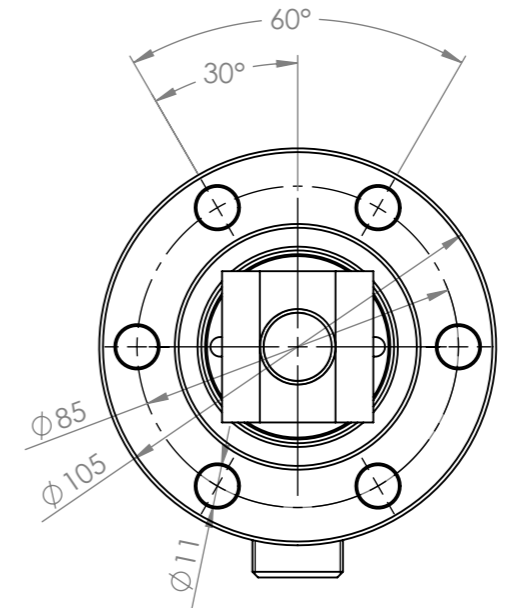
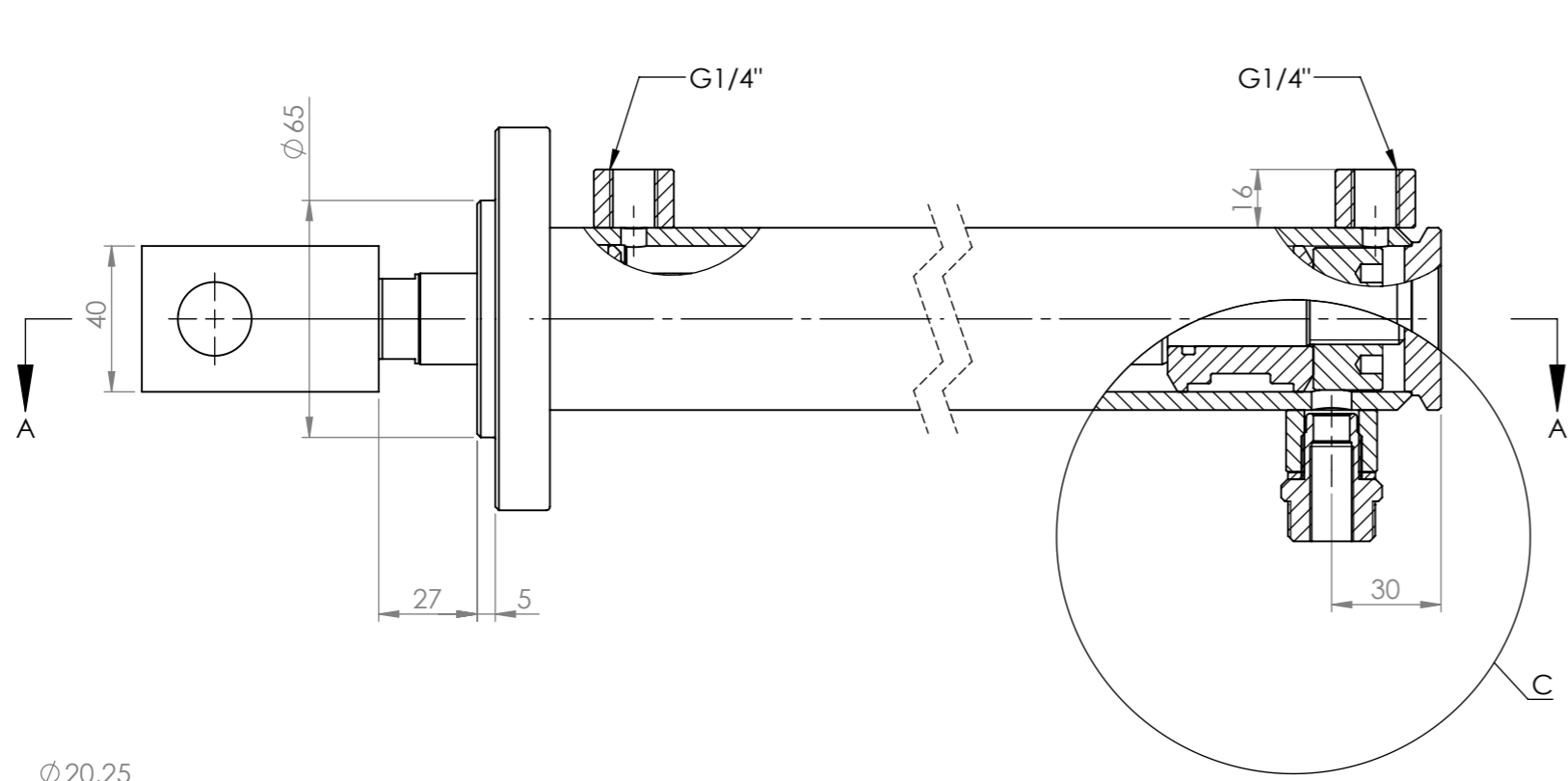


Rev no.	Description	Rev date	Rev applicant	Rev sign	Approved
01	Flange ændret 15 var 10mm. Flange tilpasset indiv. cyl.rør L tilpasset ændringer	29-08-2016	hs	hsa	hsa
02	stempelstang tildelet eget item no	19-09-2016	hs	hsa	hsa




Overfladebehandling:  
Affedtning efterfulgt af sort maling RAL 9005 blank

Ikke målsat tolerancer jf.  
DS/ISO 2768-v og 13920-B

Pos:	Drawing no:	Item No:	Description	Qty.	Weight (kg)
1	1012395	Ej oprettet	Cylinderør ø40 svejst	1	2.836
2	1011111	*KO-PK-040-015-01	Stempelhoved ø40 NB	1	0.224
3	1012396	NB03820032	Stempelstang for CYL-0002120	1	1.446
4	1009708	KO-FD-040-05	Cylinderbund ø40 m pinol NB	1	0.127
5	1002027	KO-MU-014-01	Muffe 1/4" for cylinder	1	0.034
6	1010575	KO-TN-040-025-01	Indskruningshoved 40/25 NB	1	0.235
7	1012397	AF-F-020-02	Gaffel Ø20,25 M20x1,5 L=45 NB	1	0.413
8	1012398	NB03820031	Møtrik for CYL-0002120	1	0.158
9	1002240	3/8FORSKRU/BALLUFFOL	Forskruning for balluff føler	1	0.064
10	1002026	KO-MU-038-01	Muffe 3/8" for cylinder	1	0.042
11	1001831	BS-06	Bonded seals 3/8"	1	0.003

Pakninger vises ikke i BOM liste.

3D designer hsa	3D Approved hsa	Drawing no. 1012393	Date 03.08.2016	Scale 1:2	Size A3
2D drawing hsa	2D Approved hs	Note			
 <b>Dani-tech</b> <a href="http://www.dani-tech.com">www.dani-tech.com</a>		Description 4025280FLG20GF Lmin=77			
		Item no. CYL-0002120			
Proprietary and confidential. The information contained in this drawing is the sole property of Dani-tech Support ApS. Any reproduction in part or as a whole without the written permission of Dani-tech Support ApS is prohibited.		Max Pressure 220 Bar	Work temp. 0-70°C	Weight (kg) 5.582	